

2DQuick Transient

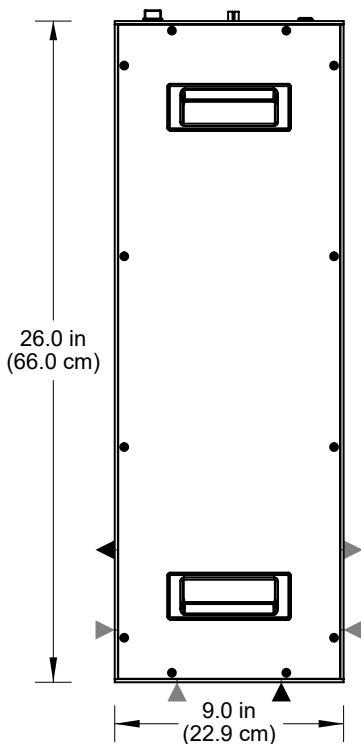
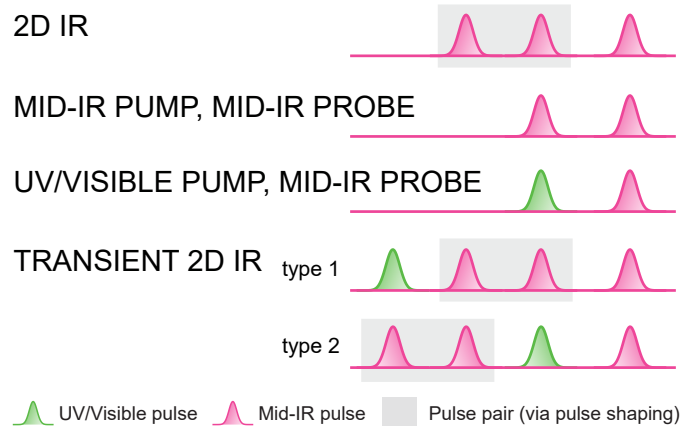
ADDS UV/VISIBLE EXCITATION TO THE 2DQUICK

2DQuick Transient is an add-on module to our 2DQuick spectrometers which enables the ability to conduct UV/visible pump, mid-IR or visible probe measurements as well as transient 2D IR or transient 2D visible measurements.

FEATURES

- High-quality delay stage with precise retroreflectors
- Alignment camera for high accuracy
- Easily switch between single-pass and double-pass
- Compact design
- Chopper
- Waveplate
- Shutter

ONE SPECTROMETER, MANY EXPERIMENTS

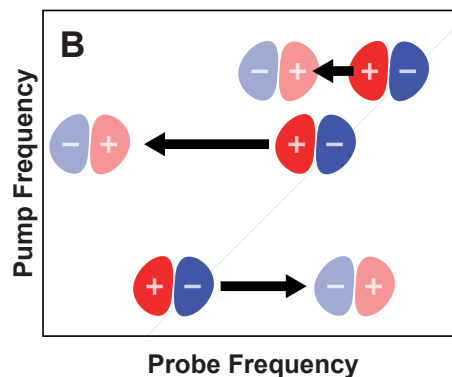


▲ Standard Input/Output
▲ Alternate Input/Output

SPECIFICATIONS

| | |
|-----------------------------|---|
| Input Polarization | Linear, Horizontal |
| Recommended Pulse Energy | $\geq 10 \mu\text{J}$ |
| Input Beam Size ($1/e^2$) | 7 mm, collimated |
| Base Dimensions | 26.0 x 9.0 x 7.25 in (66.0 x 22.9 x 18.4 cm) |
| Single-Pass Range | 2 ns |
| Single-Pass Step Size | 8.3 fs |
| Double-Pass Range | 4 ns |
| Double-Pass Step Size | 16.7 fs |

(for 300 mm stage length, other stage lengths available)



Transient 2D IR spectra can aid in the assignment of excited-state IR features

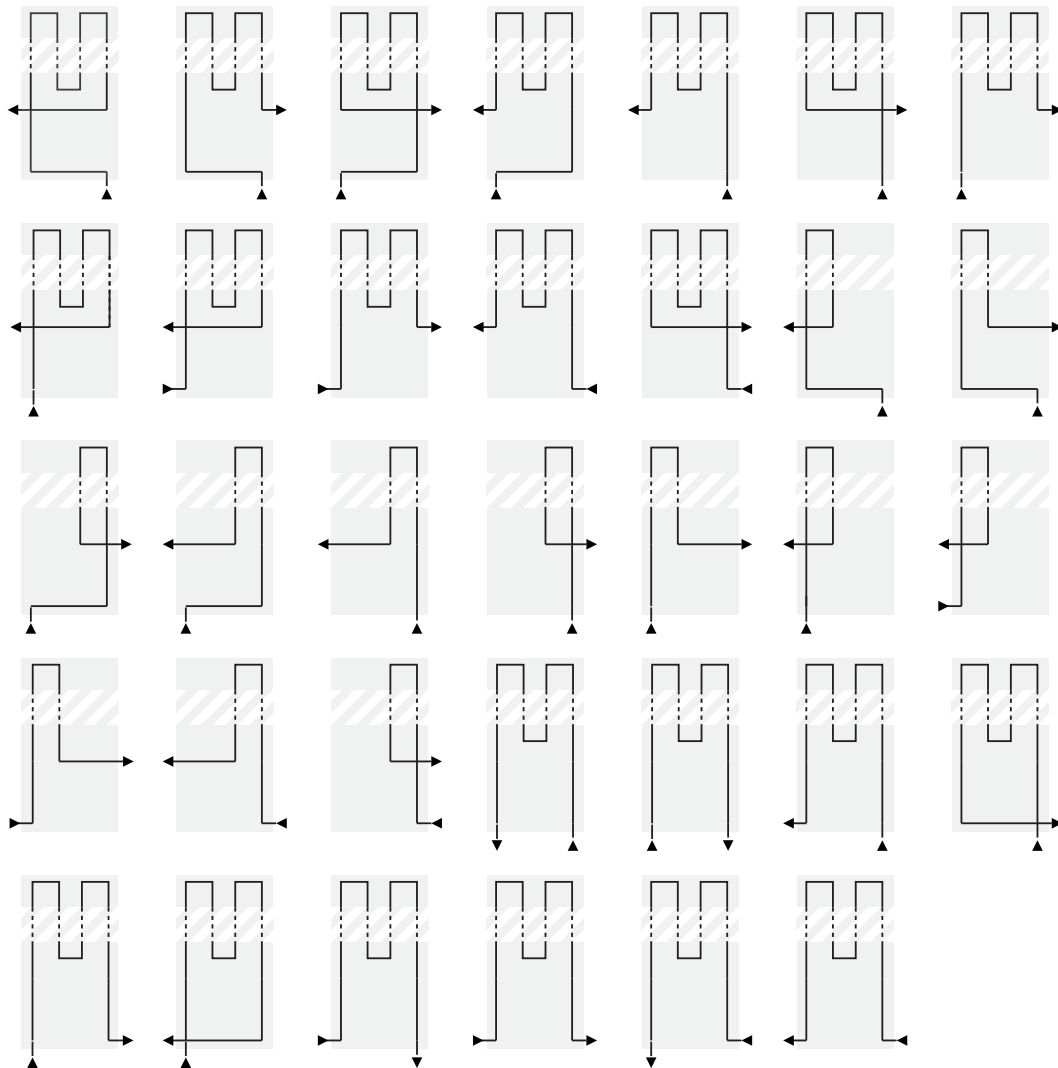
PHASETECH 2DQuick Transient

ADDITIONAL INFORMATION

Compact & Ridiculously Reconfigurable

Fit into tight table layouts

Reconfigure when your layout changes



**Custom mounts allow
configuration changes in seconds**

We follow a policy of continuous product development. Specifications are subject to change without notice. LabView™ is a trademark of National Instruments. Neither PhaseTech Spectroscopy, Inc., nor any software programs or other goods or services offered by PhaseTech Spectroscopy, Inc., are affiliated with, endorsed by, or sponsored by National Instruments.